

Multilevel secure gateway

CyNApps, for Cyber and Applications, is an on-board secure multi-level gateway that allows two-way communication between networks at heterogeneous classification levels.

- **Context:** Air defense - combat, tactical and strategic missions, training, military transport.

- **Challenge:** Collaborative combat and authorized data exchange between systems of different classification levels.

- **Main features**

- Ensure the integrity of the data exchanged and the security of all on-board connectivity.
- Guarantee the accessibility and secure sharing of crucial "authorized" information and guard against any external intrusion.

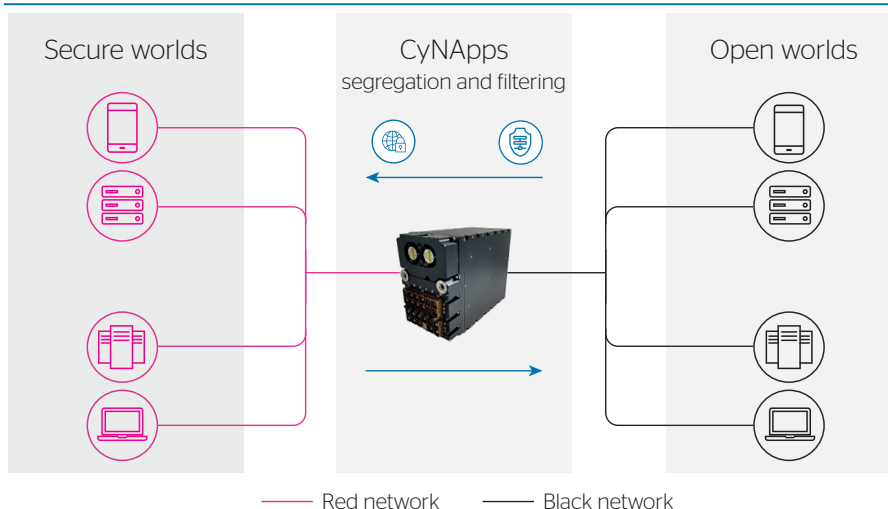
- **Main characteristics**

- System developed, produced and integrated in France
- Complies with Common Criteria EAL 3+ according to ANSSI
- System with BIT self-test (Built in test)
- Aircraft rugged embedded platform¹
- Configurable according to customer needs
- Specific on-board applications and functions (PikeOS®, Windows™, Linux, switch, Ethernet, tactical buses and video services)

¹ CyNApps naval and land version, request dedicated datasheets



Meets the common criteria EAL 3+



Environment and certification

Standards

Dependability	DO178 DO254
Safety - common criteria	EAL 3+

Environmental qualifications

Electrical network accounting tests (stabilized regimes, momentary regimes, micro outages, sub-transient voltage peaks)	RTCA DO-160
Electromagnetic compatibility tests (Emission of parasitic radioelectric energy, susceptibility to electromagnetic environment)	MIL-STD-461E
Test susceptibility to strong fields	DGT 86278A
Lightning tests	RTCA DO-160
Electrostatic discharge tests	MIL-STD-464A



Mechanical characteristics

Architecture	VPX 3U Conduction Cooled Architecture with forced air cooling
Width	124 mm
Height	194 mm
Depth	270 mm
Weight	8 kg
Fixing and guiding	Mounting with 2 rear guide pins and 2 front fasteners on the tray shell

Technical characteristics

Alimentation	+28 VDC power supply
Computing power	Intel technology ARM technology
Secure Recording Support	Secure Erase AES256 SSD
Tactical buses	Ethernet interfaces: 10/100/1000 (cooper and FO) Discrete: analog or digital I / O Tactical: MIL-STD-1553B, Digibus Video: VGA, 3350B, PAL / NTSC, HD, ARINC 818
Connectors	MIL-EN-4165
Reliability (in flight hours)	MTBF3 > 5,000 h
Integration	CyNApps naval and land version integration, request dedicated datasheets

For more information: info-cc@atos.net

Atos, the Atos logo, Atos|Syntel, and Unify are registered trademarks of the Atos group. October 2020. © 2020 Atos. Confidential information owned by Atos, to be used by the recipient only. This document, or any part of it, may not be reproduced, copied, circulated and/or distributed nor quoted without prior written approval from Atos.